



PHA 2500



PHA 2500 combined with Panic mortice lock for single- and double-leaf doors



PHA 2500 combined with Emergency escape motor lock with automatic locking action SVP 2000 for single-leaf doors

PHA 2500 Panic Hardware system

Innovative, advanced hardware system for emergency exits

With its PHA 2500 system, dormakaba is able to offer a high-quality panic exit device on the basis of an integrated emergency escape lock for single- and double-leaf timber doors. The system is certified according to EN 1125 and carries the CE mark and is ideal for narrow stile doors in emergency exits in which safety, security, reliability and aesthetic elegance are a must.

This Panic Hardware system constitutes a further building block in the dormakaba product portfolio for the safe control of emergency escape routes. It satisfies in full the demands placed on emergency exit devices used in public facilities such as hospitals, universities and schools, concert halls, shopping malls, hotels and administrative buildings. With this series, moreover, the external fitting can be provided in form of a dormakaba Premium project door furniture to EN 1906, EN 1634-1 and DIN 18273.



F Approval certification

The panic exit devices in the PHA 2500 series are tested and certified to EN 1125. All products comply with the requirements of Annex ZA to EN 1125 and thus qualify to carry the CE mark of conformity. Additional approval certification of the relevant fire and smoke check doors may be necessary – check local regulations.

Contents

PHA 2500 for timber doors	Features and functions	4
Dimensions	Single-leaf doors with panic mortice lock	6
	Single-leaf doors with Emergency escape motor lock with automatic locking action	8
	Double-leaf doors with panic mortice lock	10
Application and installation	Single-leaf doors with panic mortice lock	12
	Single-leaf doors with Emergency escape motor lock with automatic locking action	13
	Double-leaf doors with panic mortice lock	14
Components	Single-leaf doors with panic mortice lock	16
	Single-leaf doors with Emergency escape motor lock with automatic locking action	17
	Double-leaf doors with panic mortice lock	18
Lock functions		20
Application notes		22
Lever handle fittings		23

Practical Panic Hardware ideal exit devices for timber doors

With its series PHA 2500 (touch bar), the dormakaba Premium project door furnitures and corresponding complementary accessories, dormakaba is able to offer a high-performance panic hardware system ideal for both internal and external timber doors. The integrated Panic mortice lock/Emergency escape motor lock enables the door to be engaged by both latch and bolt.

The benefits at a glance

For the trade

- Certified system in one complete pack.
- One actuation touch bar for all door widths.
- Suitable for use in conjunction with stock dormakaba Premium project door furnitures.
- Further accessories available for individual applications.

For the architect/specifier

- High-quality appearance with no visible fixing screws.
- Projection from face according to EN 1125.
- Certified system compliant with Euronorm standard.
- All dormakaba Premium project door furnitures compliant with EN 1906, EN 1634-1 and DIN 18273 can be used.

For the fabricator/installer

- Full range of expertise from a single source.
- Easy to install.
- Readily adaptable to different door widths and heights.
- Excellent range of accessories.

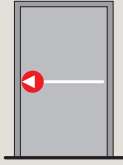
For the user

- Optimum safety – even under pre-load, the door can be opened from anywhere across its full width.
- Single-source supply for a full range of customer services.

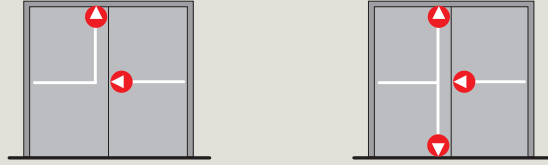
Data and features		PHA Serie 2500		
		single-leaf door	double-leaf door	single-leaf door automatic locking
Standard doors in emergency escape routes		●	●	●
Fire and smoke check doors		●	●	●
Door width ¹⁾	≤ 1300 mm	●	–	●
	≤ 2600 mm	–	●	–
Door height ¹⁾	≤ 2500 mm	●	●	●
Max. door leaf weight in kg ¹⁾		200	200	200
Handling	DIN-R	●	●	●
	DIN-L	●	●	●
Projection from face ≤ 100 mm		●	●	●
Panic mortice lock		●	●	–
Emergency escape motor lock with automatic locking action SVP 2000		–	–	●
Backset (mm)		65/80	65/80	55/60/65/80
Europrofile cylinder centres (mm)		72	72	72
Europrofile cylinder to DIN 18252		●	●	●
Suitability for use of an electronic EP cylinder		○	○	○
Lock functions: Transit (E) / Transmission(B) / Change-over (D)		●/●/●	●/●/●	●/–/–
Forend width (mm)		20/24	20/24	20/24
Locking rod with switching lock (inactive leaf)		–	●	–
Powder-coated silver		●	●	●
Stainless steel finish		●	●	●
External fitting (Premium project door furnitures)		○	○	○
Tested and certified to EN 1125		●	●	●
CE-mark for construction projects		●	●	●
ISO 9000		●	●	●

● = yes – = no ○ = option ¹⁾Data correspond to the maximum application scope of EN 1125.

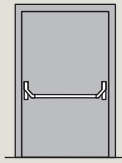
PHA 2500 for timber doors



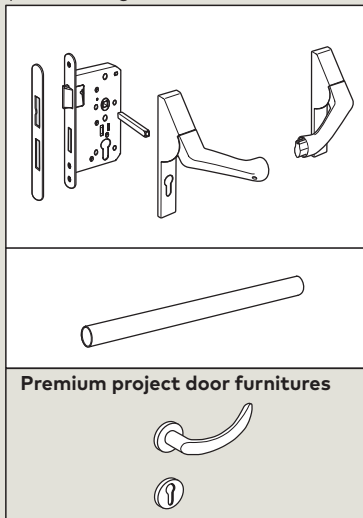
PHA 2500 for timber doors



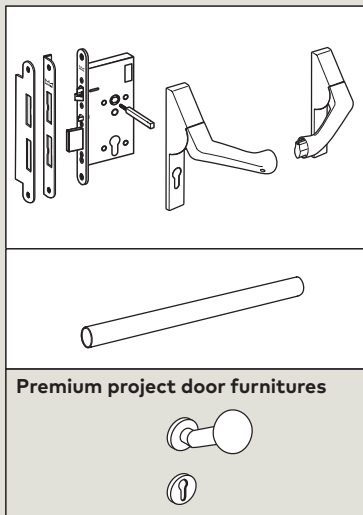
Panic Hardware system PHA 2500 for timber doors



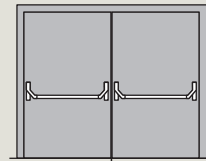
1-point locking



1-point locking with SVP 2000



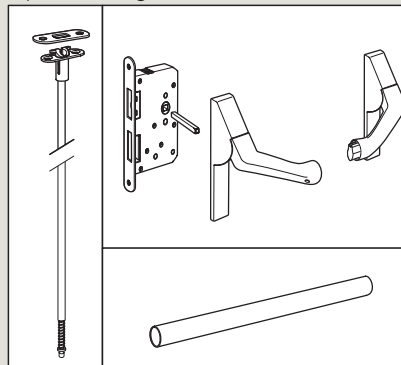
Inactive leaf



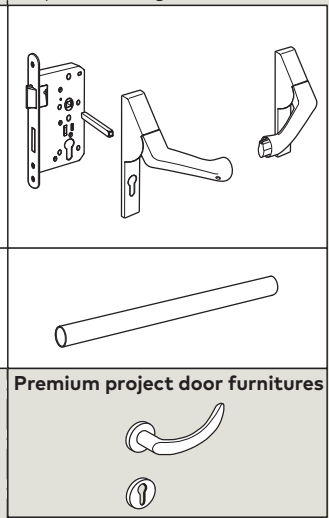
Active leaf



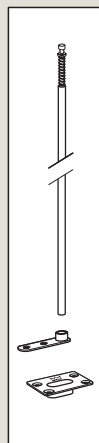
1-point locking



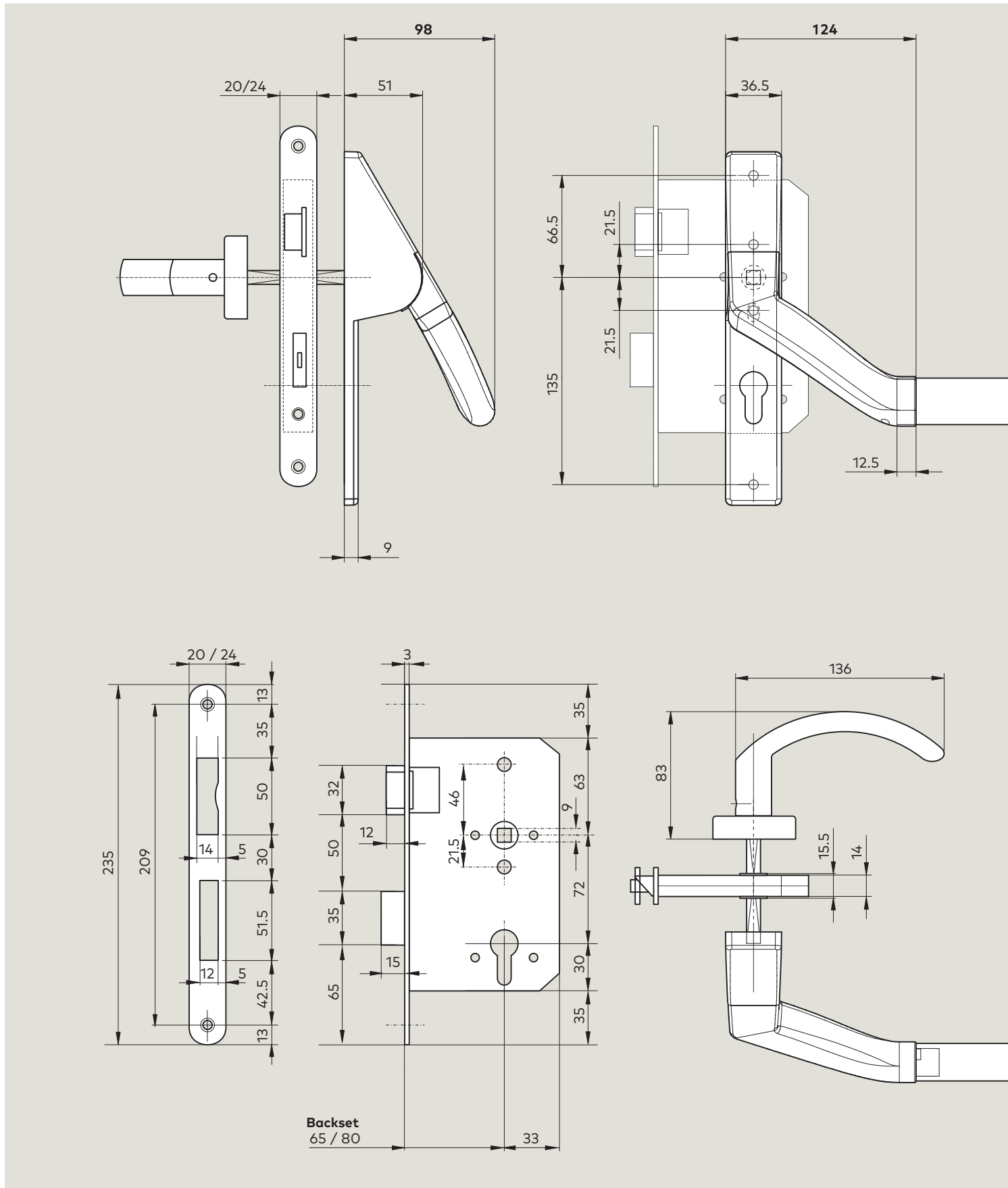
1-point locking

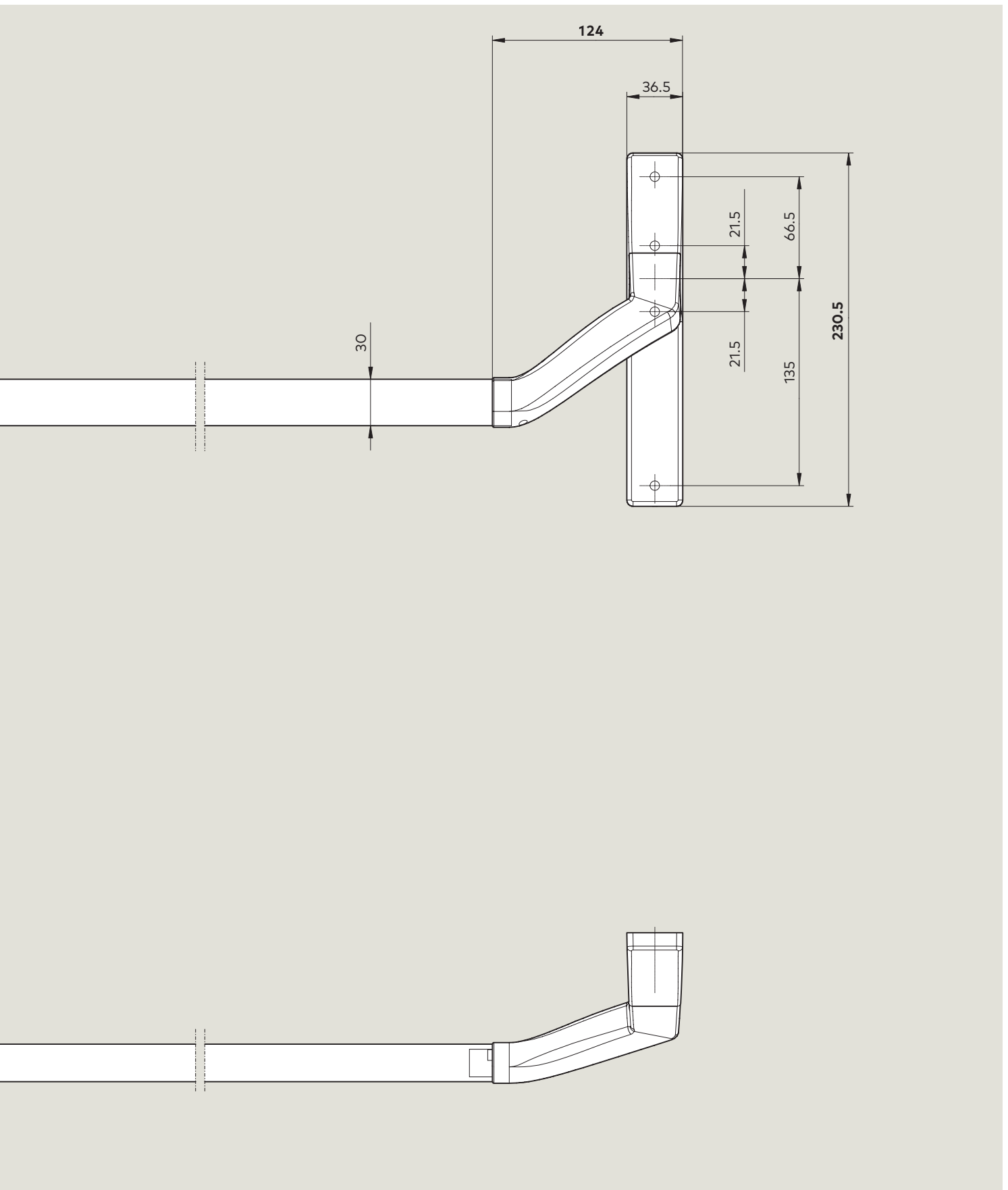


2-point locking

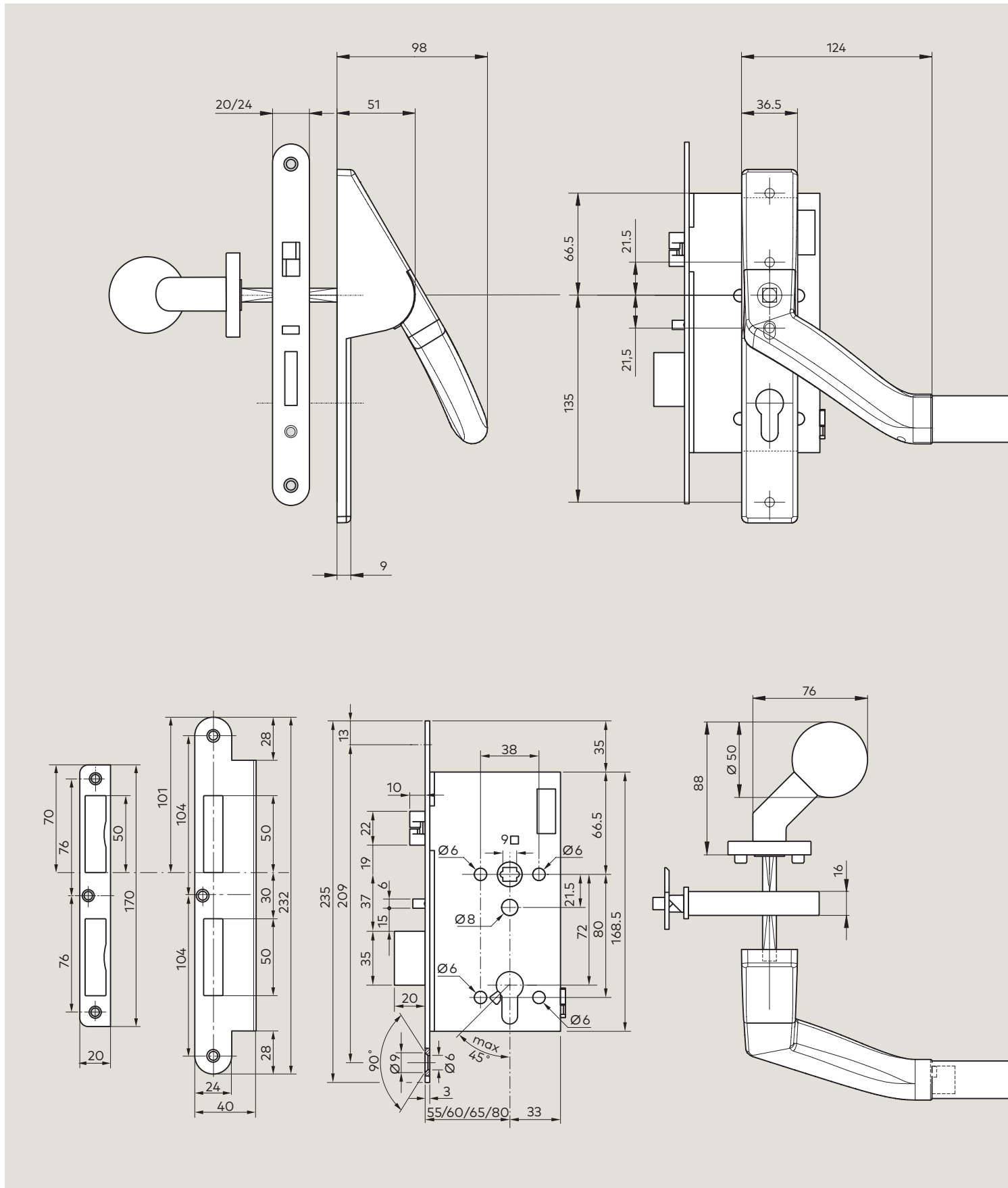


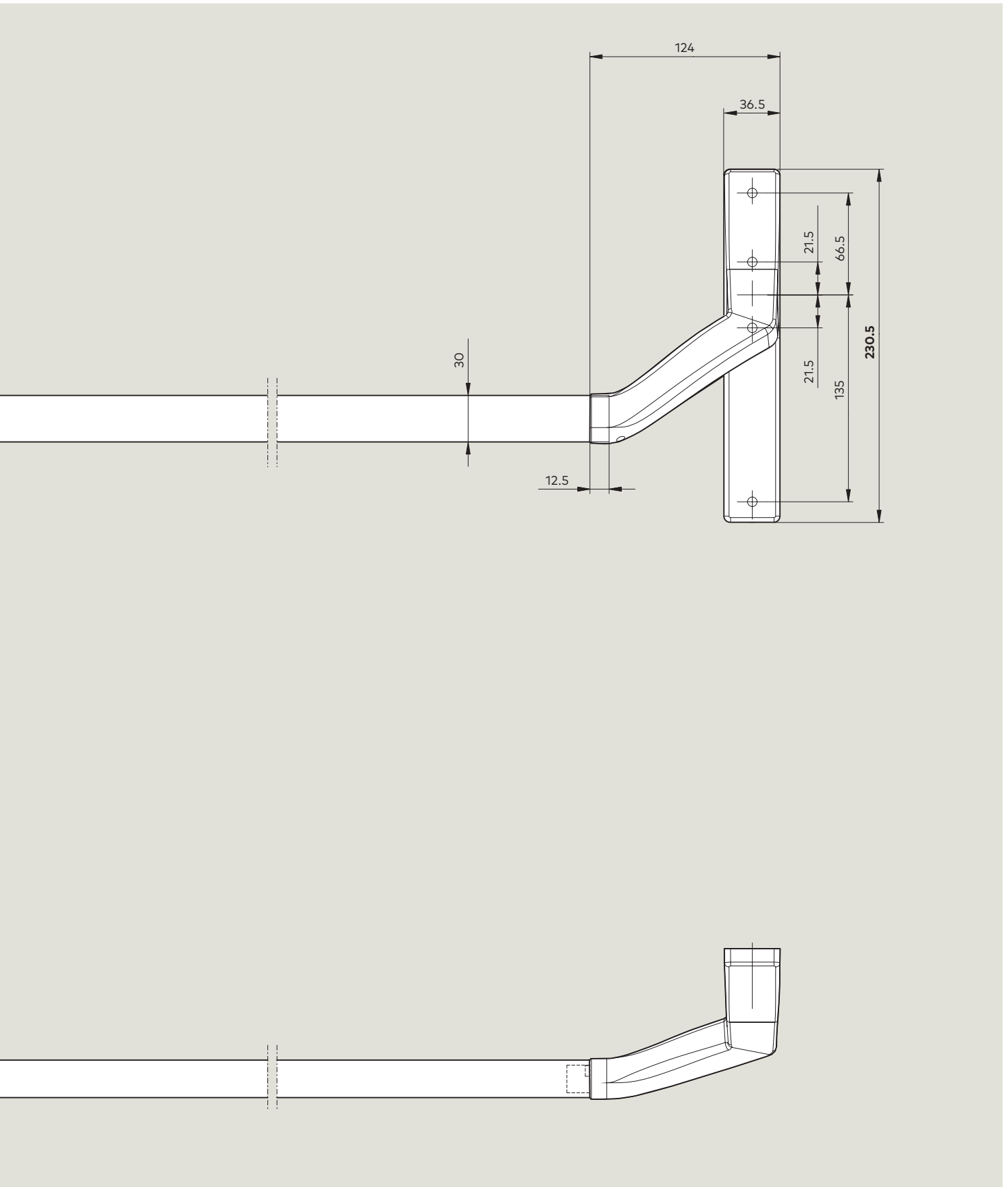
Single-leaf doors with panic mortice lock



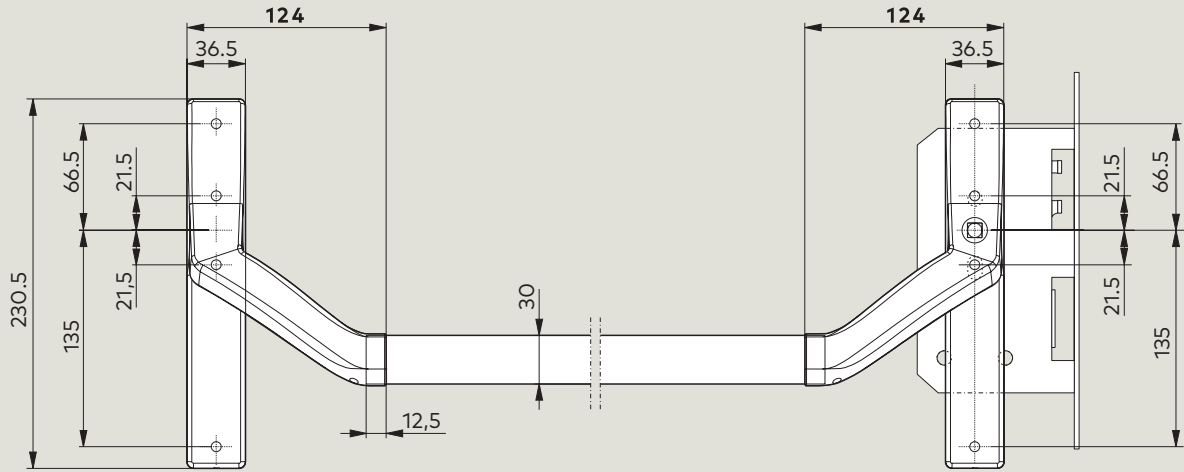


Single-leaf doors with SVP 2000

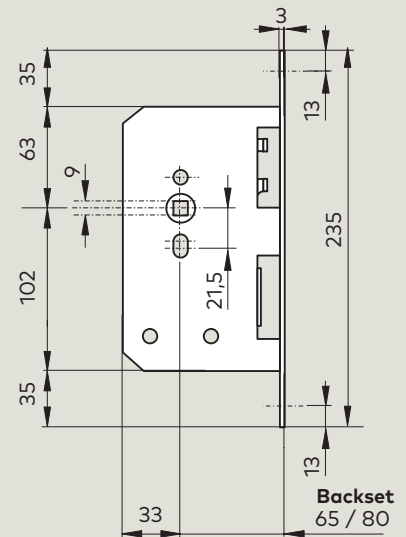
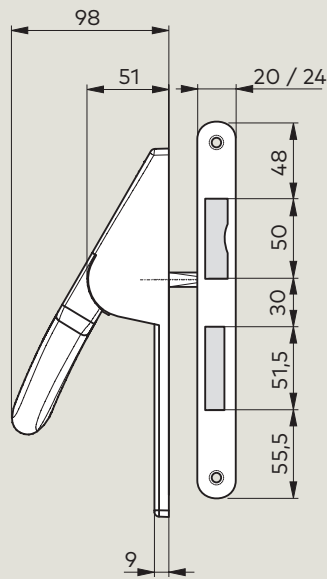
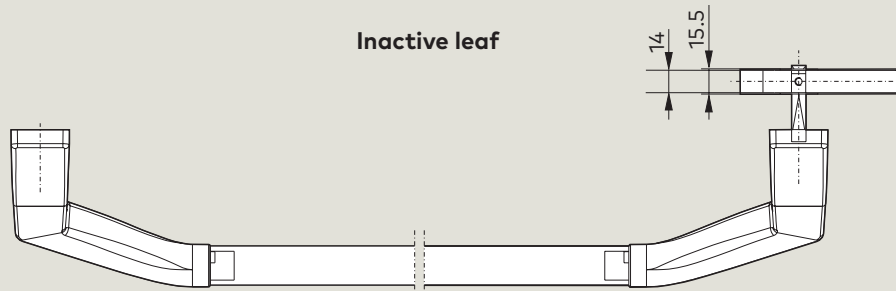


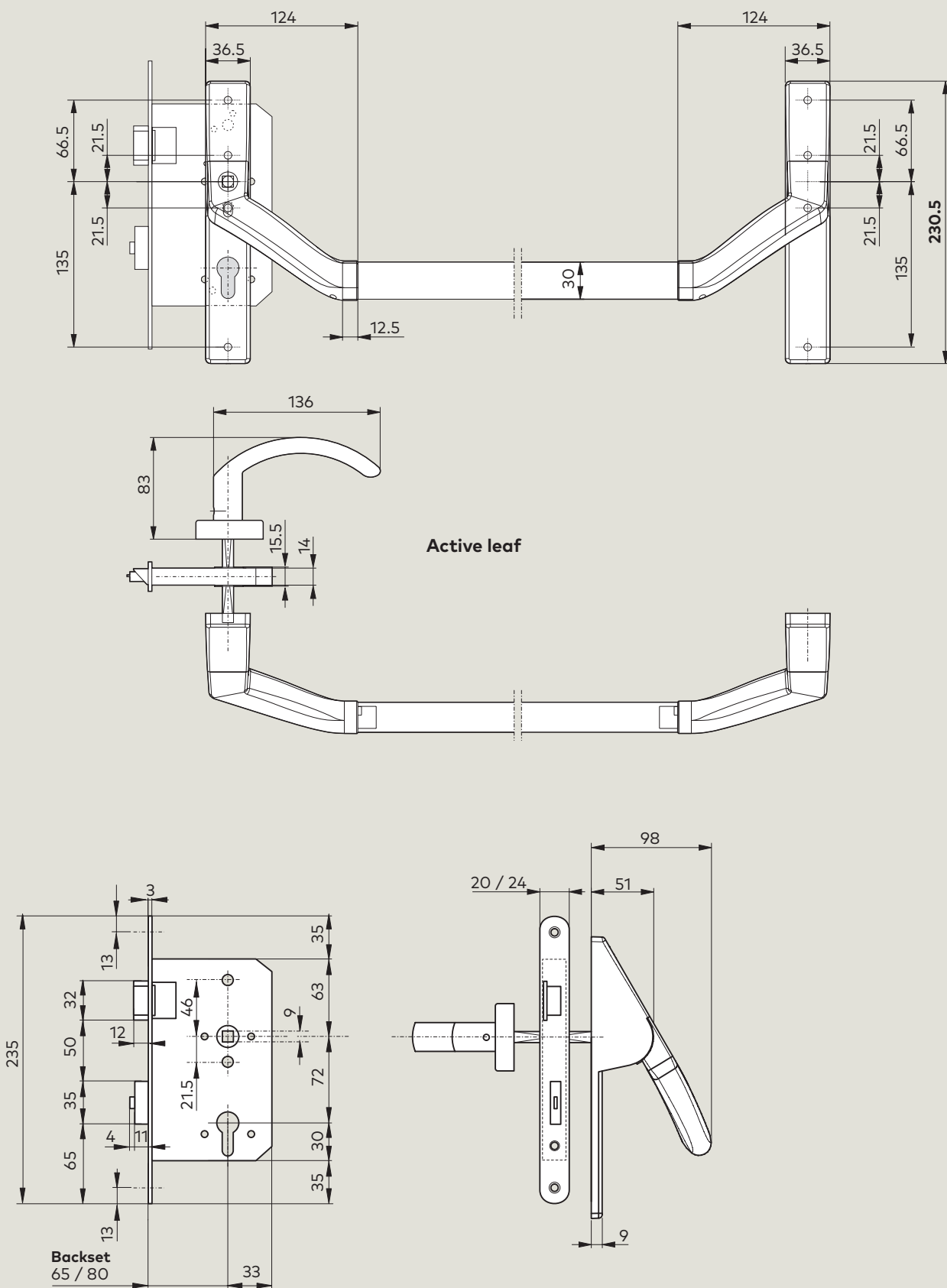


Double-leaf doors with panic mortise lock

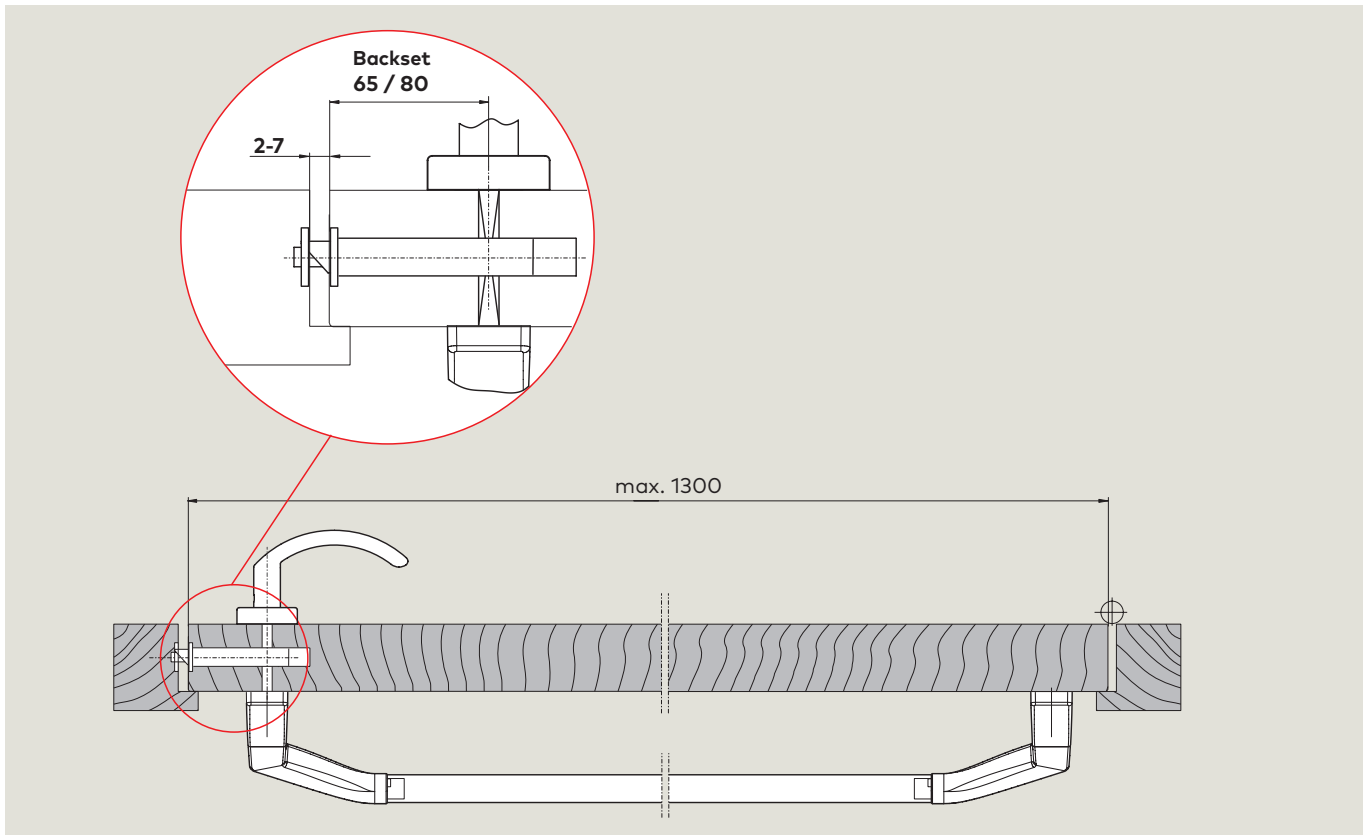


Inactive leaf

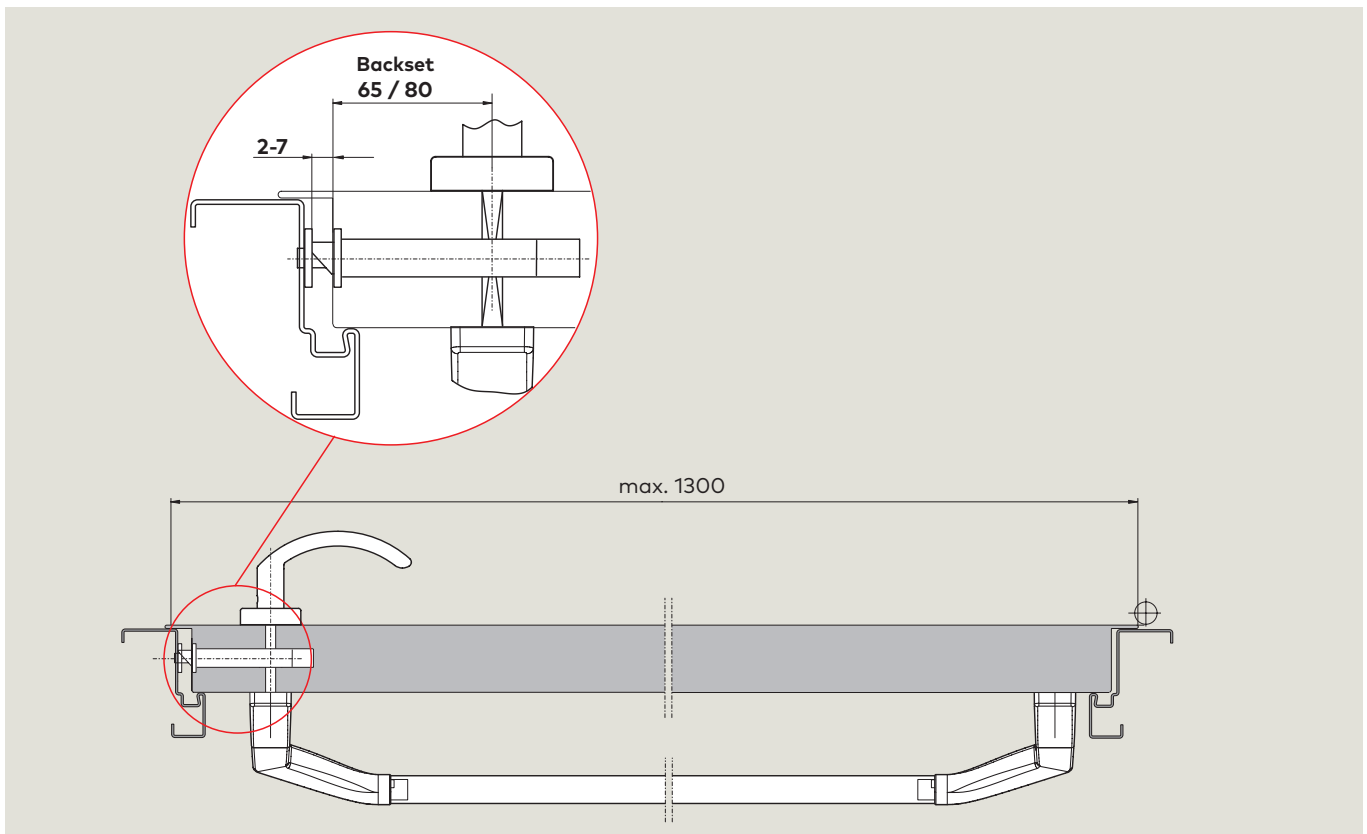




Single-leaf doors with panic mortice lock

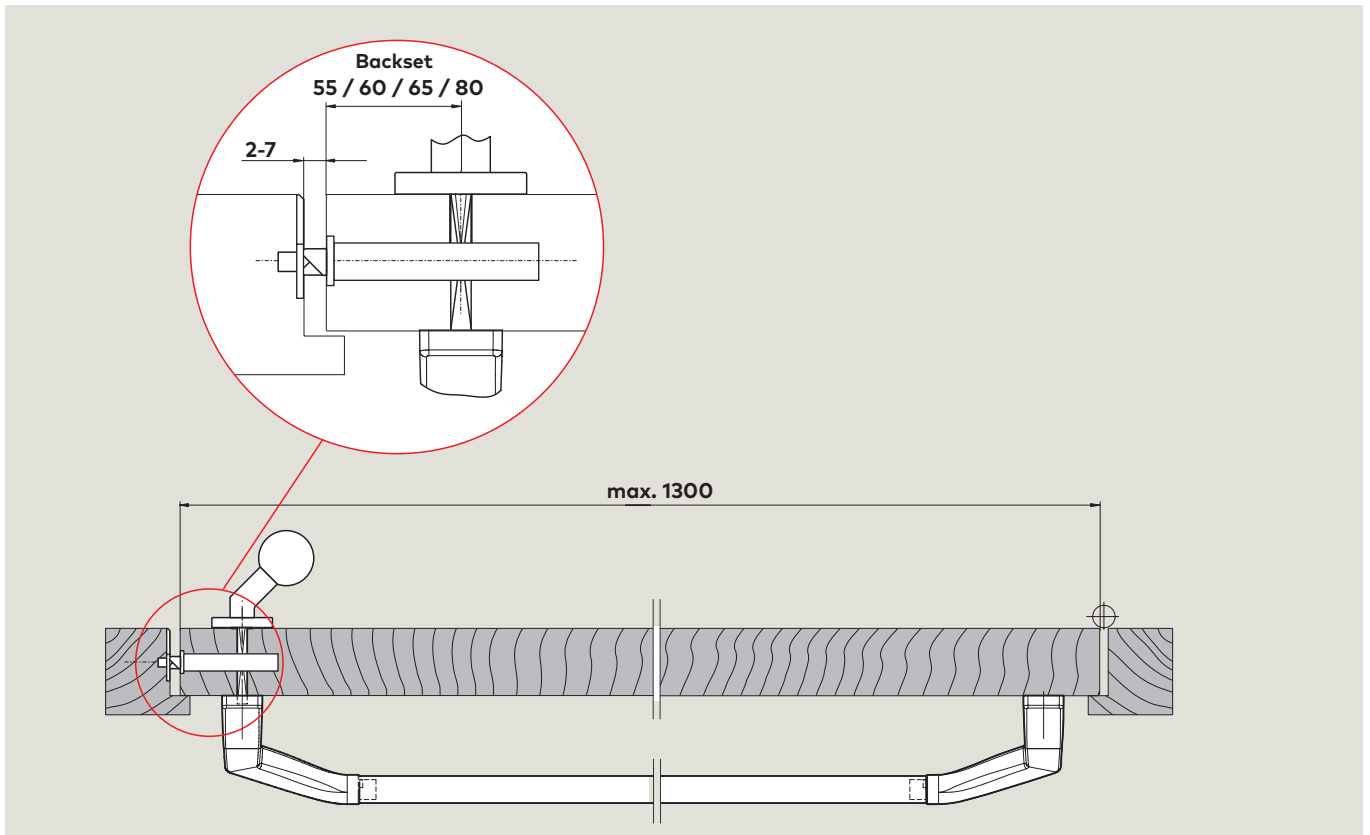


Horizontal locking, wooden door (Note advisory on page 22)



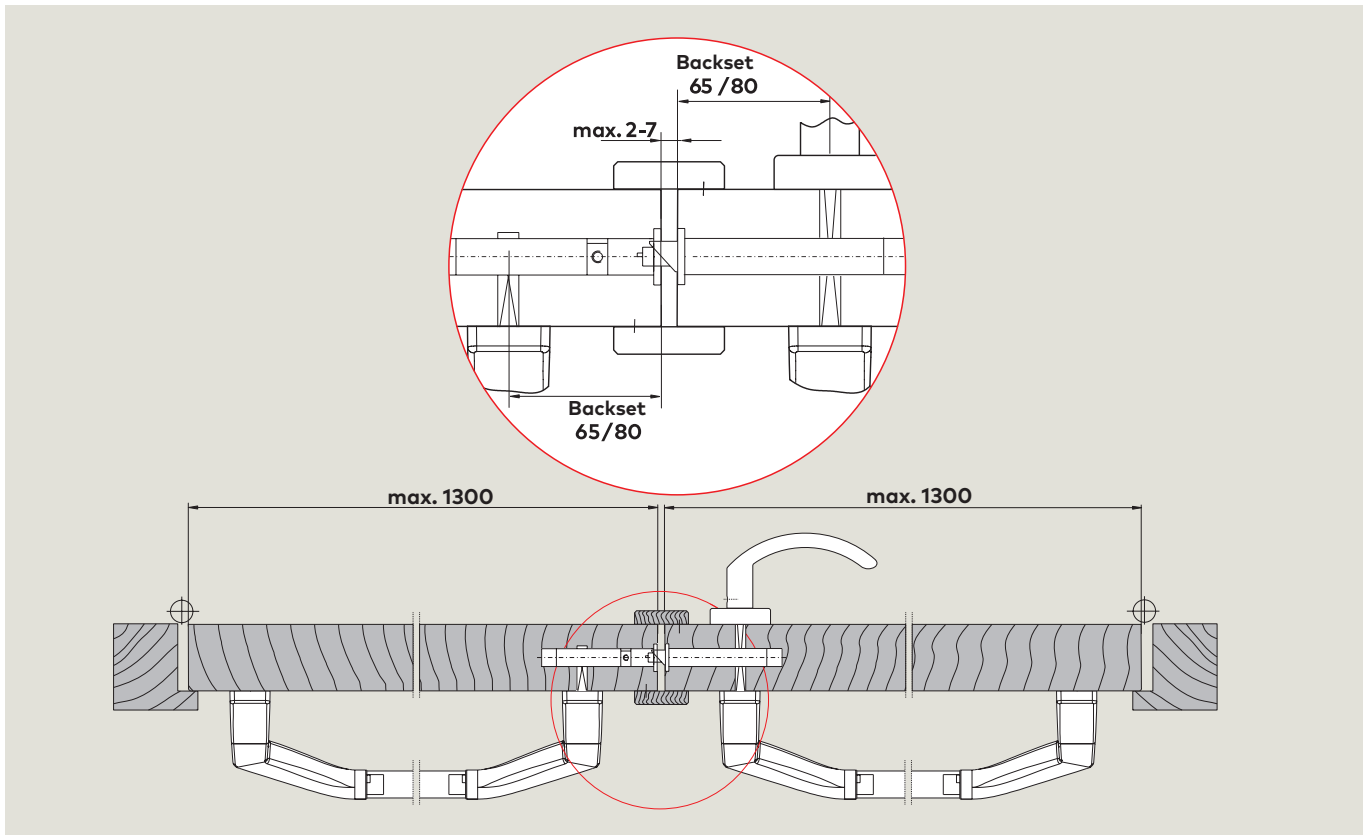
Horizontal locking, sheet steel door (Note advisory on page 22)

Single-leaf doors with SVP 2000

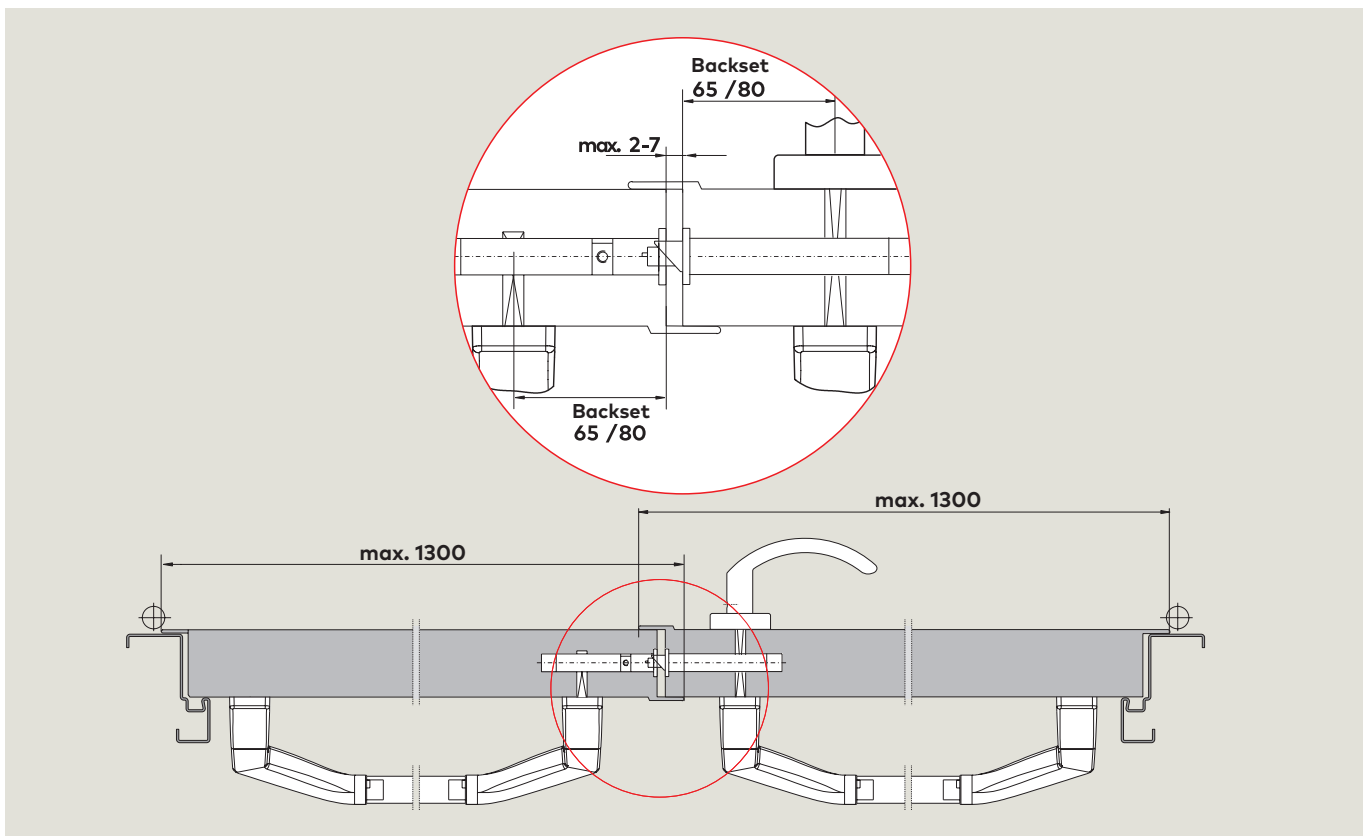


Horizontal locking, wooden door (Note advisory on page 22)

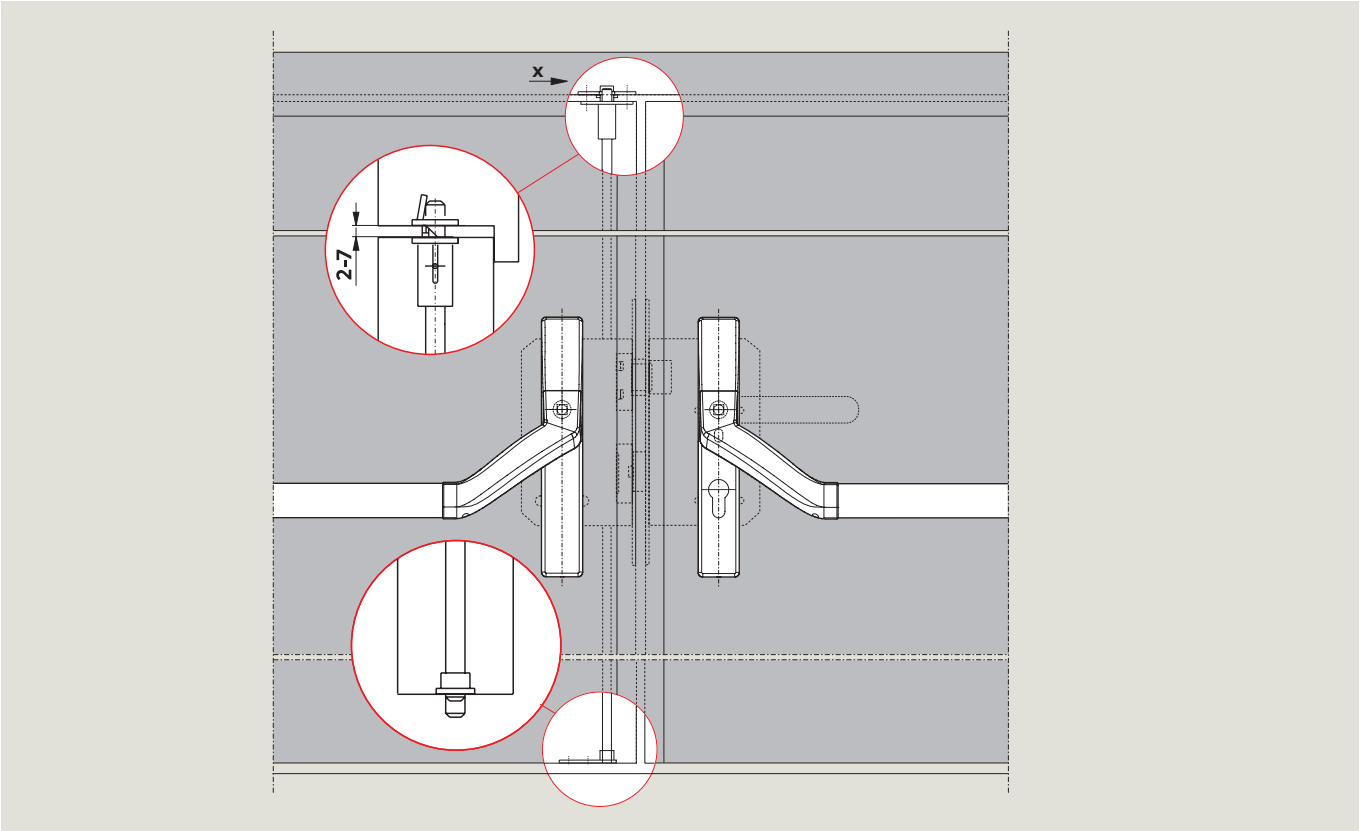
Double-leaf doors with panic mortise lock



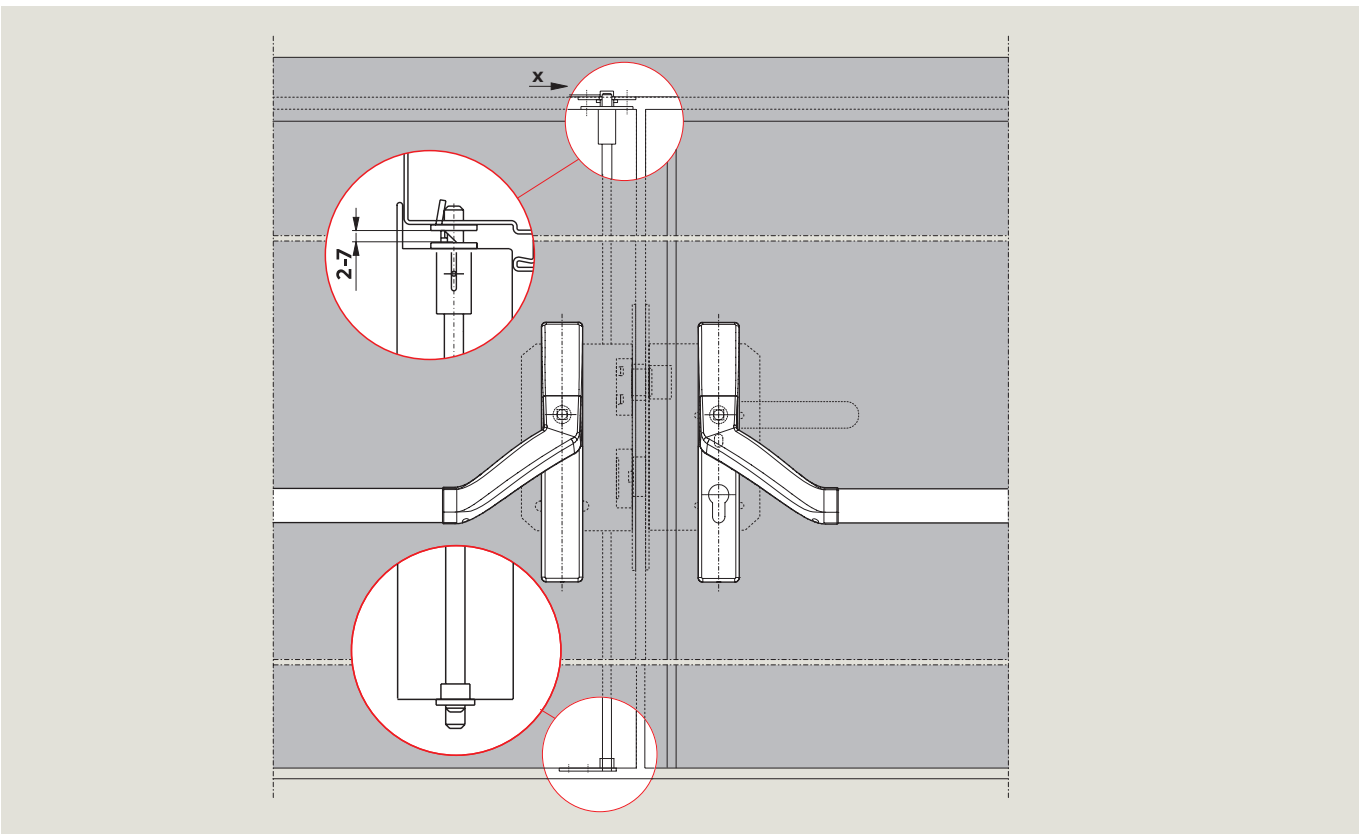
Horizontal locking, wooden door (Note advisory on page 22)



Horizontal locking, sheet steel door (Note advisory on page 22)



Vertical locking, wooden door – For panic exit devices according to EN 1125 a floor keep is necessary (see page 19)

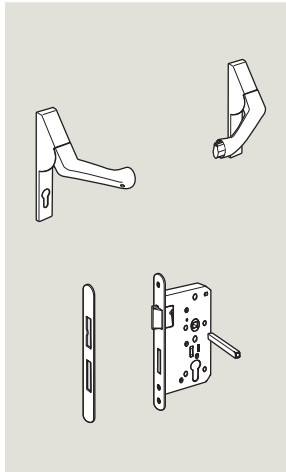


Vertical locking, sheet steel door – For panic exit devices according to EN 1125 a floor keep is necessary (see page 19)

Single-leaf doors with panic mortice lock

Specification text

Order No.



PHA 2500 VB, single-leaf

Panic exit device for single-leaf timber doors, compliant with EN 1125, door widths up to 1300 mm; projection from face per category 2 ≤ 100 mm, nip-free design, no visible fixing screws. With panic mortice lock, backset of 65/80 mm and

- Mode of operation B / Change-over function
- Mode of operation D / Transit function
- Mode of operation E / Transmission function

Prepared for installation of an electronic cylinder (Europrofile cylinder).

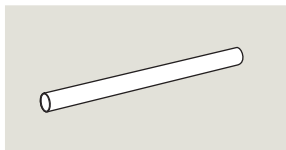
Approved for use on fire and smoke check doors.

Additional approval certification of the relevant fire and smoke check doors may be necessary – check local regulations.

All products of the PHA 2500 series carry the **CE** mark.

- Silver
- Stainless steel finish

35014 2621**xx**01
35014 2621**xx**04



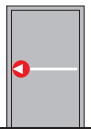
PHA 2105 Connecting rod

for PHA 2500, door widths up to 1300 mm

- Silver
- Stainless steel finish

35014 21050001
35014 21050004

xx = Variant lock function

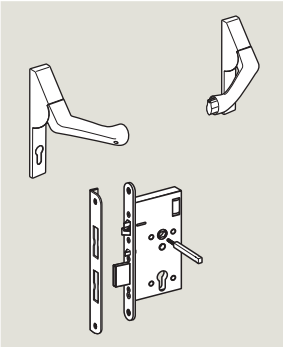
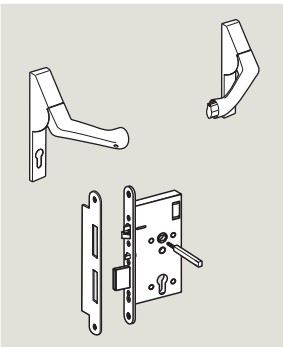
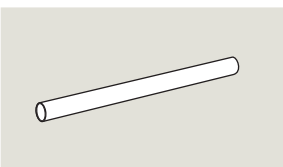
Product	Handing	Backset	Lock function	Forend width 24 Order No. 35014	Forend width 20 Order No. 35014
PHA 2500 for timber doors single-leaf, 1-point-locking 	L	65	D Transit	35014 2621 04 xx	35014 2621 13 xx
			E Transmission	35014 2621 05 xx	35014 2621 14 xx
			B Change-over	35014 2621 06 xx	35014 2621 15 xx
		80	D Transit	35014 2621 07 xx	35014 2621 16 xx
			E Transmission	35014 2621 08 xx	35014 2621 17 xx
			B Change-over	35014 2621 09 xx	35014 2621 18 xx
	R	65	D Transit	35014 2621 22 xx	35014 2621 31 xx
			E Transmission	35014 2621 23 xx	35014 2621 32 xx
			B Change-over	35014 2621 24 xx	35014 2621 33 xx
		80	D Transit	35014 2621 25 xx	35014 2621 34 xx
			E Transmission	35014 2621 26 xx	35014 2621 35 xx
			B Change-over	35014 2621 27 xx	35014 2621 36 xx

For description of lock functions see pages 20, 21

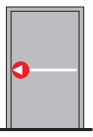
xx = Colour
01 = Silver
04 = Stainless steel finish

Lever handle spindles: Note advisory on page 22.

Single-leaf doors with SVP 2000

	Specification text	Order No.
	<p>PHA 2500 VB with SVP 2000, single-leaf Panic exit device for single-leaf timber doors, compliant with EN 1125, door widths up to 1300 mm; projection from face per category 2 ≤ 100 mm, nip-free design, no visible fixing screws. With Emergency escape motor lock with automatic locking action SVP 2000 with transmission function, Backset 55/60/65/80 mm. Prepared for installation of an electronic cylinder (Europrofile cylinder). Approved for use on fire and smoke check doors. Additional approval certification of the relevant fire and smoke check doors may be necessary – check local regulations. All products of the PHA 2500 series carry the CE mark.</p>	
	<input type="checkbox"/> Forend 20 mm with rebated strike plate <input type="checkbox"/> Silver <input type="checkbox"/> Stainless steel finish	35014 2721xx01 35014 2721xx04
	<input type="checkbox"/> Forend 24 mm with standard strike plate <input type="checkbox"/> Silver <input type="checkbox"/> Stainless steel finish	35014 2721xx01 35014 2721xx04
	<p>PHA 2105 Connecting rod for PHA 2500, door widths up to 1300 mm</p> <input type="checkbox"/> Silver <input type="checkbox"/> Stainless steel finish	35014 21050001 35014 21050004

xx = Variant lock function

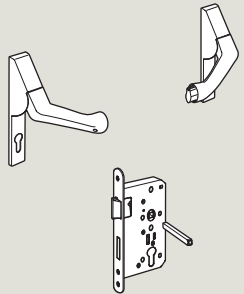
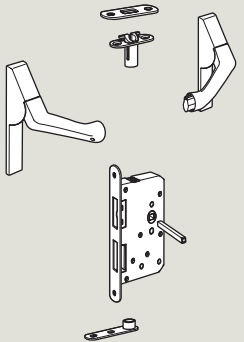
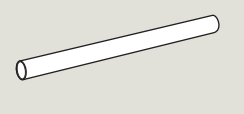
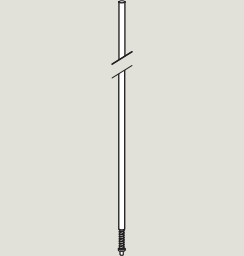
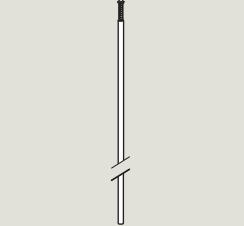
Product	Handing	Backset	Lock function	Forend width 24 Order No. 35014	Forend width 20 Order No. 35014
PHA 2500 with SVP single-leaf, 1-point-locking 	L/R	55	E Transmission	35014 272113xx	
	L/R	60	E Transmission	35014 272114xx	
	L/R	65	E Transmission	35014 272115xx	
	L/R	80	E Transmission	35014 272116xx	
	L	55	E Transmission		35014 272101xx
	L	60	E Transmission		35014 272102xx
	L	65	E Transmission		35014 272103xx
	L	80	E Transmission		35014 272104xx
	R	55	E Transmission		35014 272105xx
	R	60	E Transmission		35014 272106xx
R	65	E Transmission		35014 272107xx	
R	80	E Transmission		35014 272108xx	

For description of lock functions see pages 20, 21

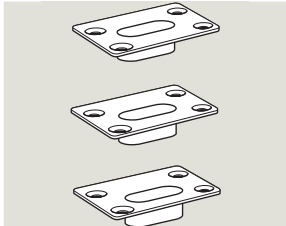
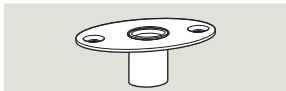
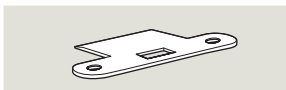
xx = Colour
 01 = Silver
 04 = Stainless steel finish

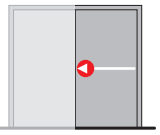

Lever handle spindles: Note advisory on page 22.

Double-leaf doors with panic mortice lock

	Specification text	Order No.
<p>PHA 2560</p> 	<p>PHA 2500 VB TRS (locking rod at the top), double-leaf Inactive leaf with locking rod at the top TRS and locking rod at the bottom TRB. Panic exit device for double-leaf timber doors, compliant with EN 1125, door widths up to 2600 mm, door height up to 2500 mm; projection from face per category 2 ≤ 100 mm, nip-free design, no visible fixing screws. With panic mortice lock at the active-leaf, backset of 65/80 mm and</p> <ul style="list-style-type: none"> <input type="checkbox"/> Mode of operation B / Change-over function <input type="checkbox"/> Mode of operation D / Transit function <input type="checkbox"/> Mode of operation E / Transmission function 	
<p>PHA 2570 TRS</p> 	<p>Prepared for installation of an electronic cylinder (Europrofile cylinder). Lock case at the inactive leaf, backset of 65/80 mm, incl. switching lock and rod guide. Approved for use on fire and smoke check doors. Additional approval certification of the relevant fire and smoke check doors may be necessary – check local regulations. All products of the PHA 2500 series carry the CE mark.</p>	
	<p>PHA 2560, Active leaf</p> <ul style="list-style-type: none"> <input type="checkbox"/> Silver <input type="checkbox"/> Stainless steel finish 	<p>35014 2622xx01 35014 2622xx04</p>
	<p>PHA 2570 TRS, Inactive leaf</p> <ul style="list-style-type: none"> <input type="checkbox"/> Silver <input type="checkbox"/> Stainless steel finish 	<p>35014 2624xx01 35014 2624xx04</p>
	<p>PHA 2105 Connecting rod for PHA 2560 and PHA 2570, for door widths up to 1300 mm</p>	<p><input type="checkbox"/> Silver 35014 21050001 <input type="checkbox"/> Stainless steel finish 35014 21050004</p>
	<p>PHA 2160 locking rod at the top for PHA 2570 TRS (Inactive leaf), Tube Ø 10 mm, for door heights up to 2500 mm</p>	<p>35014 21600000</p>
	<p>PHA 2161 TRB locking rod at the bottom for PHA 2570 TRS (Inactive leaf), Solid bar Ø 10 mm, lever handle heights 1050 mm</p>	<p>35014 21610000</p>

xx = Variant lock function

Specification text	Order No.
 <p>PHA 2122 Floor keep for locking of the PHA 2161 TRB at the inactive leaf. Required for panic exit devices to EN 1125.</p> <p>Model: PHA 2122-0 (0 mm) PHA 2122-2 (-2 mm) PHA 2122-4 (-4 mm)</p>	<p>35014 21220000 35014 21222000 35014 21224000</p>
 <p>PHA 2121 Adjustable floor keep for locking of the PHA 2161 TRB at the inactive leaf. Required for panic exit devices to EN 1125.</p>	<p>35014 21210000</p>
 <p>PHA 7380 Strike plate (optional) for PHA 2160 TRS locking rod at the top</p>	<p>35014 73800000</p>

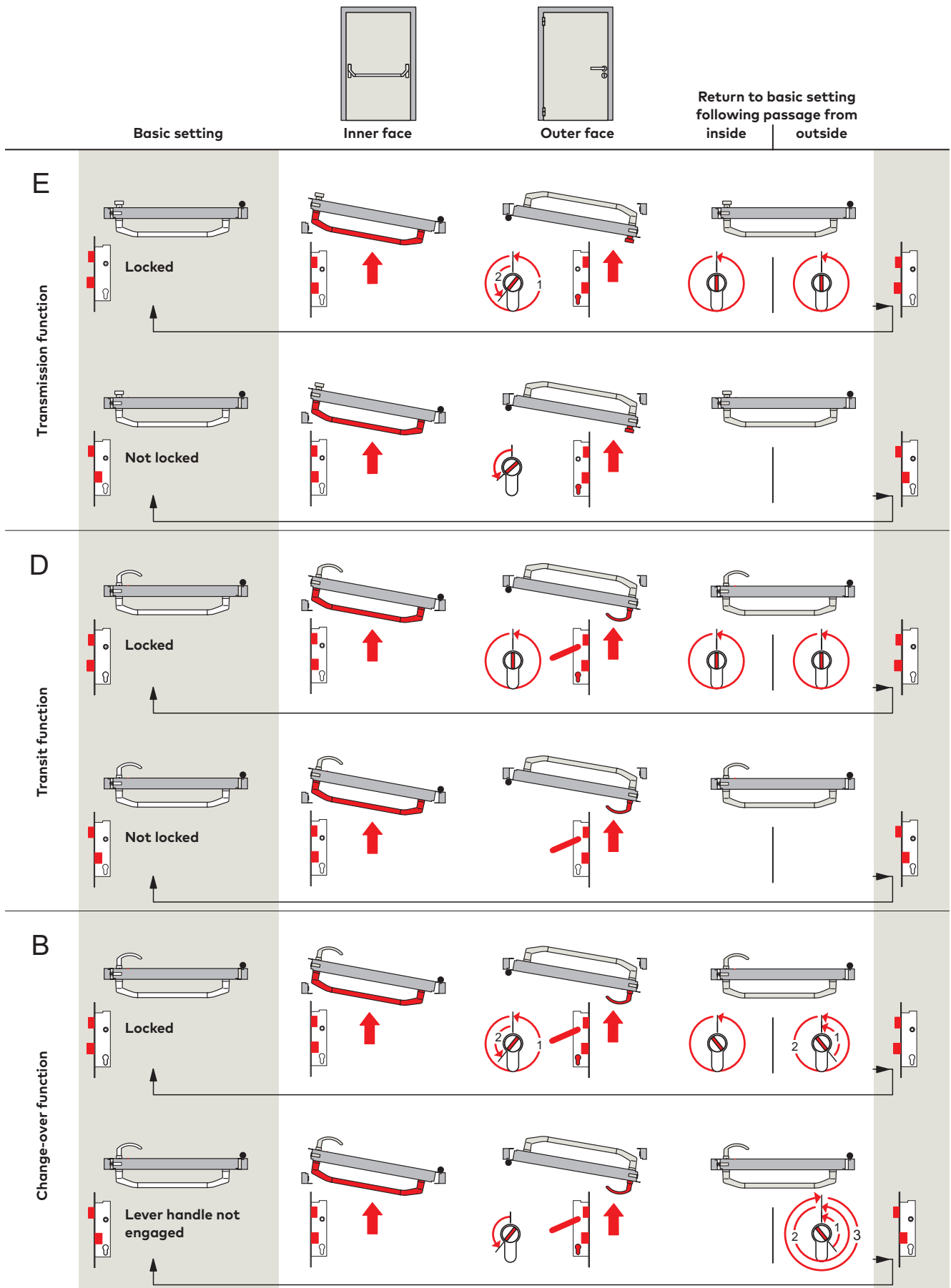
Product	Handing	Backset	Lock function	Forend width 24 Order No. 35014	Forend width 20 Order No. 35014
PHA 2560 double-leaf, Active leaf 1-point-locking 	L	65	D Transit	35014 2622 04 xx	35014 2622 13 xx
			E Transmission	35014 2622 05 xx	35014 2622 14 xx
			B Change-over	35014 2622 06 xx	35014 2622 15 xx
		80	D Transit	35014 2622 07 xx	35014 2622 16 xx
			E Transmission	35014 2622 08 xx	35014 2622 17 xx
			B Change-over	35014 2622 09 xx	35014 2622 18 xx
	R	65	D Transit	35014 2622 22 xx	35014 2622 31 xx
			E Transmission	35014 2622 23 xx	35014 2622 32 xx
			B Change-over	35014 2622 24 xx	35014 2622 33 xx
		80	D Transit	35014 2622 25 xx	35014 2622 34 xx
			E Transmission	35014 2622 26 xx	35014 2622 35 xx
			B Change-over	35014 2622 27 xx	35014 2622 36 xx
PHA 2570 TRS double-leaf, Inactive leaf 1-/2-Point locking 	L	65	-	35014 2624 01 xx	35014 2624 03 xx
		80	-	35014 2624 02 xx	35014 2624 04 xx
	R	65	-	35014 2624 05 xx	35014 2624 07 xx
		80	-	35014 2624 06 xx	35014 2624 08 xx

For description of lock functions see pages 20, 21

Lever handle spindles: Note advisory on page 22.

xx = Colour
01 = Silver
04 = Stainless steel finish

Lock functions



Transmission function E

For doors in which unauthorised opening from the outside must be reliably prevented. Opening of the door from the inside (danger side) is always possible.

In the event of a panic situation, the latch and the engaged bolt are retracted simultaneously by actuating the exit device from the inside. The bolt remains withdrawn and can be locked again using the key.

On the outside is a fixed dead knob. The door can be unlocked and the latch retracted using the key. Locking is always performed with the key.

Transit function D

For doors in which passage from the outside may occasionally be necessary. Opening of the door from the inside (danger side) is always possible. Following panic activation, access from the outside is also automatically enabled.

In the event of a panic situation, the latch and the engaged bolt are retracted simultaneously by actuating the exit device from the inside. After panic unlocking, the bolt remains withdrawn and can be locked again with the key.

A lever handle is fitted to the outside face. The door can be unlocked and the latch retracted using the lever handle.

Change-over function B

For doors in which passage from the outside may occasionally be necessary. The lever handle on the outside face may be engaged and disengaged. Opening of the door from the inside (danger side) is always possible.

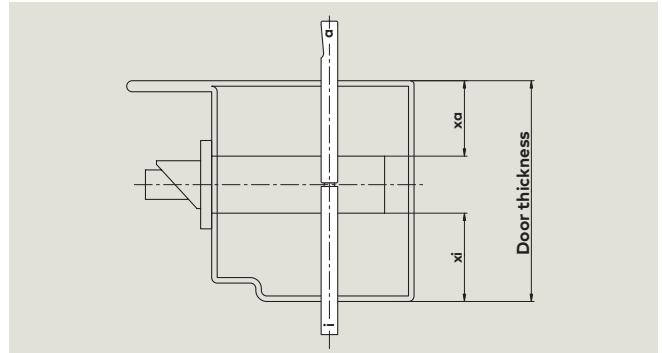
In the event of a panic situation, the latch and the engaged bolt are retracted simultaneously by actuating the exit device from the inside. After panic unlocking, the bolt remains withdrawn and can be locked again with the key.

A lever handle is fitted to the outside face. The key can be used to retract the lock and engage the lever handle which can then be used to retract the latch. The lever handle remains engaged until the key is used to re-lock the door.

Application notes

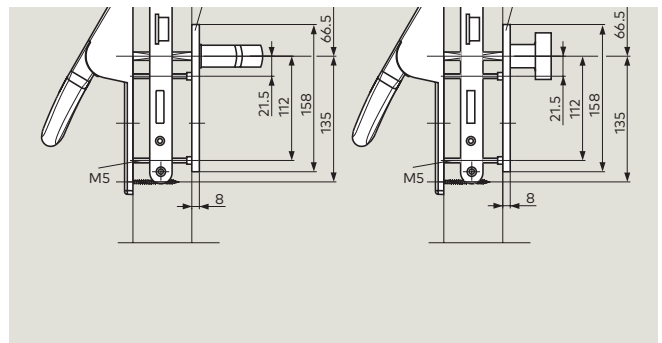
Lever handle spindles

The lever handle spindles included in the scope of supply of the PHA 2500 system are designed for door thicknesses of 40 – 70 mm. In the case of locks with functions D and B (split follower), a central lock fit is necessary for these lever handle spindles. In the case of door leaf thicknesses outside the given ranges and/or an asymmetric lock fit, the corresponding lever handle spindle will need to be separately ordered. Please ensure that all the relevant drawing dimensions are indicated.



PHA 2500 with short backplates

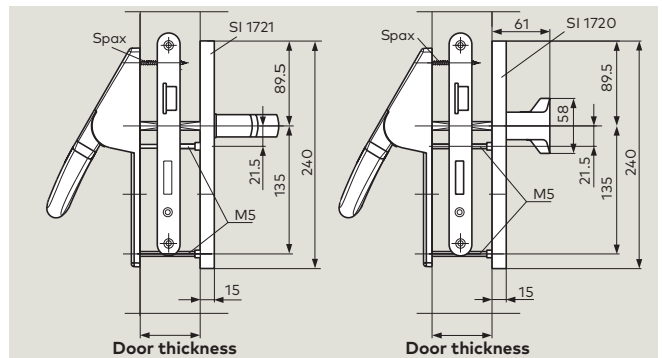
The back-to-back bolting through the door further enhances stability of the furniture set comprising the PHA 2500 panic exit device and short backplate with dead knob or lever handle



PHA 2500 with security fitting

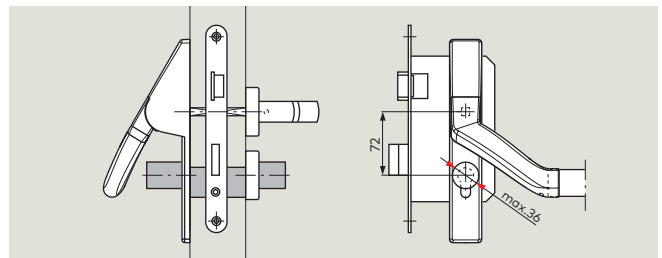
The security fittings SI 1720 (with fixed knob) and SI 1721 (with lever handle) can be perfectly combined with the Panic Hardware System PHA 2500.

For highest stability the panic fitting and the security fitting connected to each other by bolt through screwing.



PHA 2500 with an electronic knob cylinder

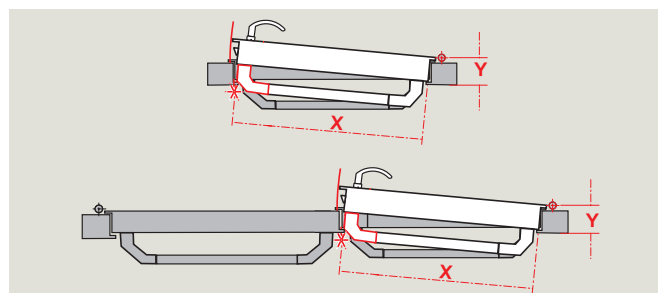
Use of an electronic knob cylinder according to certificate of conformity O432-BPR-0066 PHA 2500.



Door situation

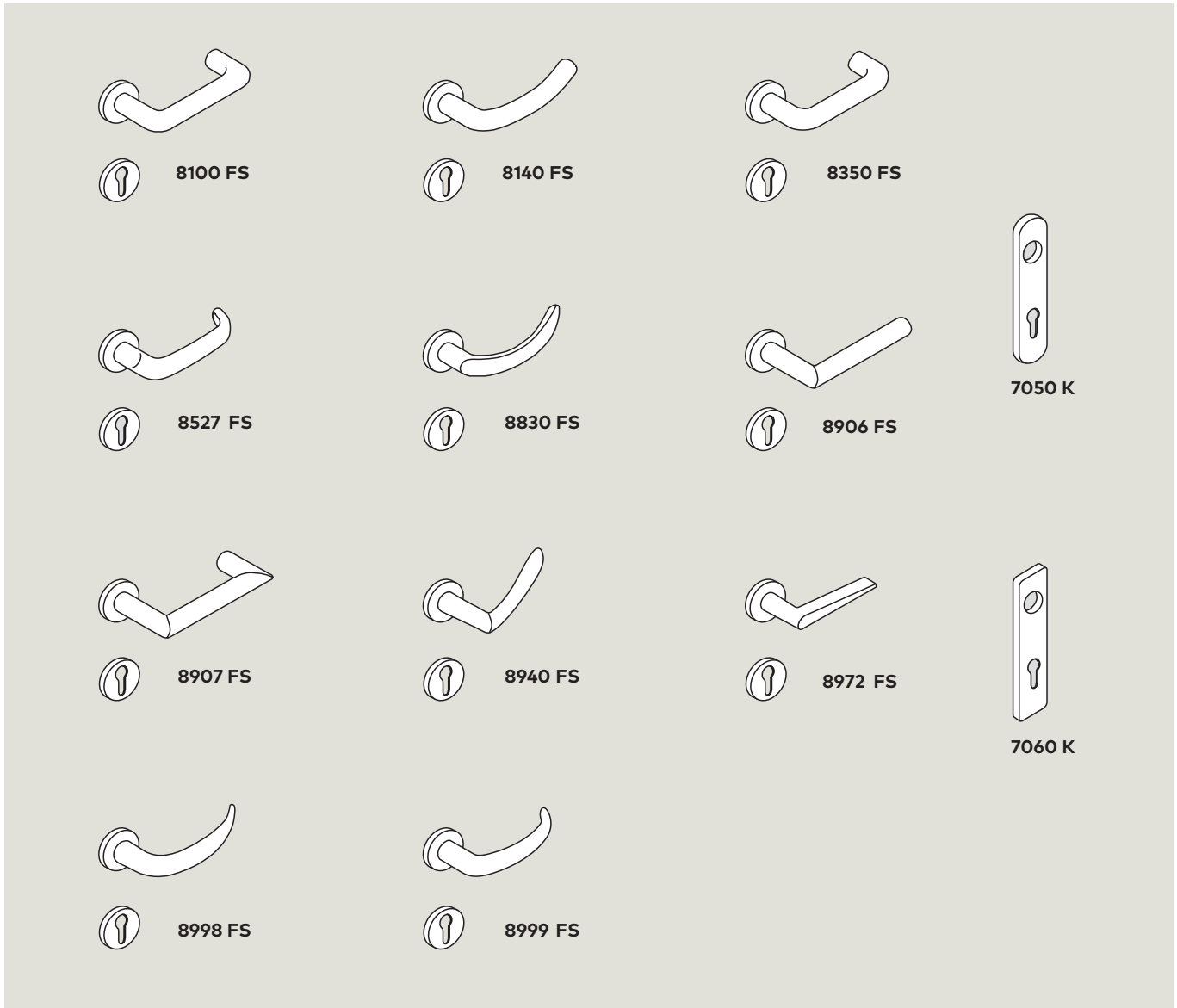
It may be the case that the panic fitting cannot be installed on extreme door situations according to standard measurements (door width X smaller than 1000 mm in connection with the distance of the hinge Y bigger than 90 mm).

On request dormakaba will gladly give you installation suggestions.

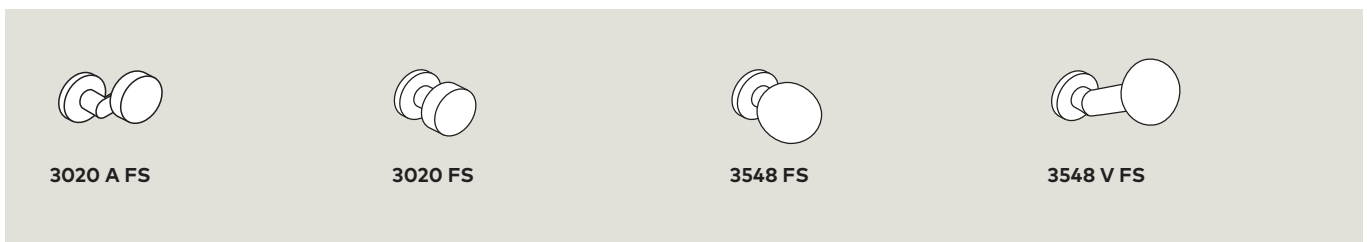


Lever handle

Lever handle fittings for timber doors (selection)



Knobs for timber doors



For further lever handle fittings please refer to dormakaba Premium brochure.

Lever handles with round roses for use on timber doors according to EN 1906, DIN 18273 and EN 1634-1 (for fire and smoke check doors).

For the combination with PHA 2500 system the 9 mm lever handle spindle has to be used.





www.dormakaba.co.uk

dormakaba UK & Ireland

E: info.gb@dormakaba.com

Wilbury Way, Hitchin
Hertfordshire
SG4 0AB

T: +44(0)1462 477600
F: +44(0)1462 477601

Lower Moor Way
Tiverton, Devon
EX16 6SS
T: +44(0)870 000 5625
F: +44(0)870 000 5397

WN 053 283 51532, 12/16, PHA 2500 VB, GB, x. DMS: 01/18
Subject to change without notice